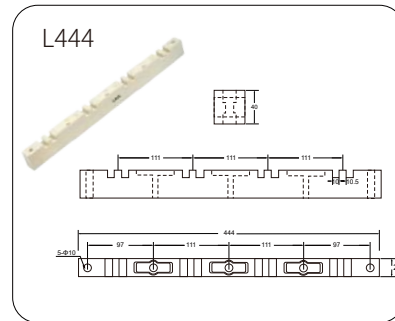
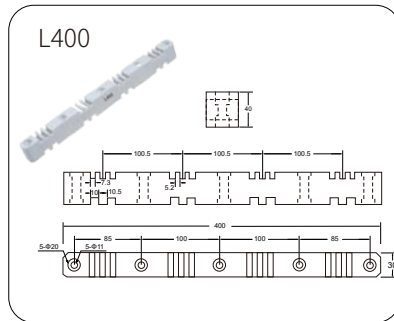
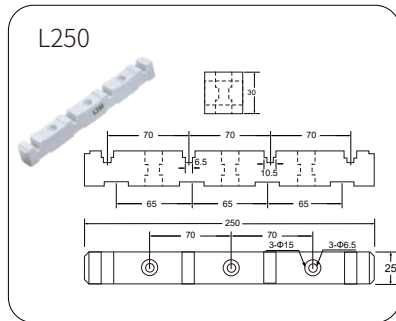
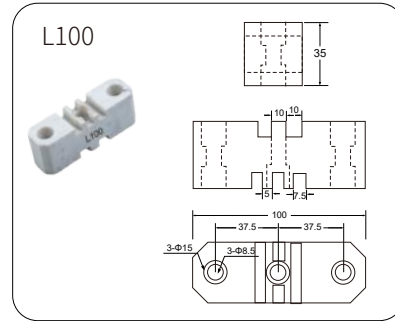
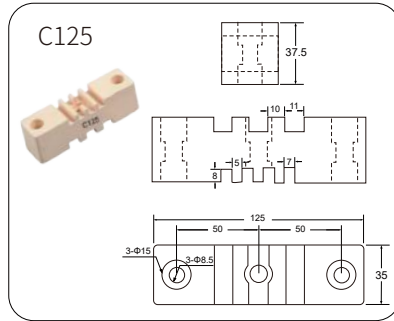
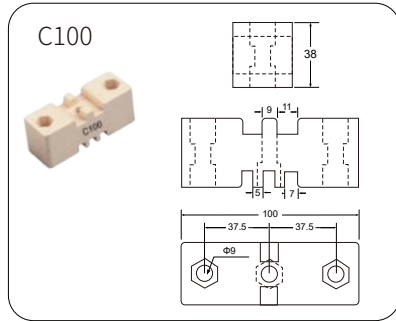


## CE RoHS EASCO® High Voltage Insulator L Series (L系列铜排夹)



Materials: BMC (Bough Moulding Compound) SMC (Sheet Moulding Compound).  
 Working Temperature: -40°C ~ +140°C  
 Remark: Special color, insert, material is upon request by client with reasonable quantities.  
 材质: 不饱和聚酯树脂玻璃纤维增强模压塑料(BMC)(SMC)。  
 工作温度: -40°C~+140°C  
 备注: 颜色、嵌件、材料性能可依客户需求定制, 但有起订量要求。



- A1. Wiring Ducts
- A2. Cable Ties
- A3. Din Rails
- A4. Cable Markers
- A5. Cable Clamps
- A6. Wrapping Bands
- A7. Nylon Cable Gland
- A8. Metal Cable Gland
- A9. Plastic Flexible Conduit
- A10. Metal Flexible Conduit
- A11. Terminal
- A12. Copper Tube Terminals
- A13. Heat Shrinkable Tubings
- A14. Bus Bar Insulators
- A15. Tool
- A16. Cable Clip
- A17. Insulating Nut
- A18. Nylon Cable Carrier